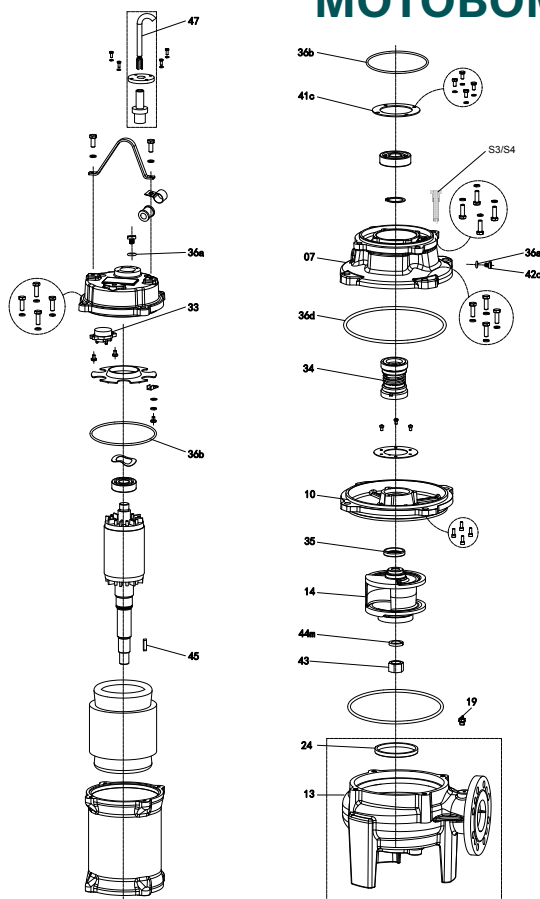


» **DESPIECE**

STR4-30-3230
STR4-50-3230

**MOTOBOMBA SUMERGIBLE
PARA LODOS**



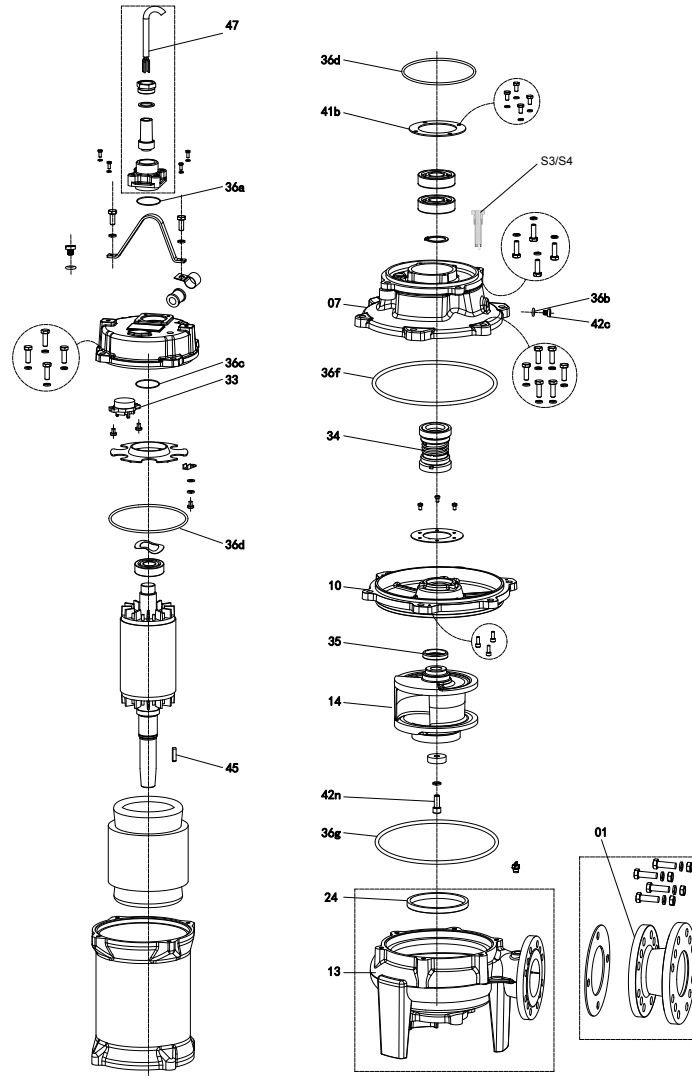
» **TABLA DE ESPECIFICACIONES**

POSICIÓN	DESCRIPCIÓN	STR4-30-3230	STR4-50-3230	CÓDIGO
01a	BRIDA PARA STR4 30 A 100HP	✓	✓	R-STR4N-BRIDA
01b	CODO DE BRIDA STR4 30 A 100HP	✓	✓	R-STR4N-COD
19	TAPON DE PURGA STR4 30-50/3230	✓	✓	R-STR4N/30/50-TPG
24	ANILLO DE SUCCION STR4 30-50/3230	✓	✓	R-STR4N/30/50-ADS
35	RETEN STR4 30-50/3230	✓	✓	R-STR4N/30/50-RTN
42c	TAPON DE ACITE STR4 30-50-100/3230	✓	✓	R-STR4N/30/50-TPA
S3/S4	SENSOR DE HUMEDAD STR4	✓	✓	R-STR4N/30/50-SHM
43	TUERCA DE IMPULSOR STR4 30-50/3230	✓	✓	R-STR4N/30/50-TDI
45	CUÑA STR4 30-50/3230	✓	✓	R-STR4N/30/50-CUÑA
44m	ARANDELA DE IMPULSOR STR4 30-50/3230	✓	✓	R-STR4N/30/50-AIM
7	CAMARA DE ACITE STR4 30/3230	✓		R-STR4N/30-CDA
	CAMARA DE ACITE STR4 50/3230		✓	R-STR4N/50-CDA
10	PLATO PORTA SELLO STR4 30/3230	✓		R-STR4N/30-PPS
	PLATO PORTA SELLO STR4 50/3230		✓	R-STR4N/50-PPS
13	CUERPO DE BOMBA STR4 30/3230	✓		R-STR4N/30-CB
	CUERPO DE BOMBA STR4 50/3230		✓	R-STR4N/50-CB
14	IMPULSOR STR4 30/3230	✓		R-STR4N/30-IMP
	IMPULSOR STR4 50/3230		✓	R-STR4N/50-IMP
33	KLIXON STR3 Y STR4 30 HP	✓		R-STR4N/30-KLX
	KLIXON STR4 50/3230		✓	R-STR4N/50-KLX
34	SELLO MECANICO STR4 30/3230	✓		R-STR4N/30-SM
	SELLO MECANICO STR4 50/3230		✓	R-STR4N/50-SM
36	KIT DE O-RING STR4 30/3230	✓		R-STR4N/30-ORG
	KIT DE O-RING STR4 50/3230		✓	R-STR4N/50-ORG
41c	TAPA BALERO INFERIOR STR4 30/3230	✓		R-STR4N/30-TPBINF
	TAPA BALERO INFERIOR STR4 50/3230		✓	R-STR4N/50-TPBINF
47	CABLE CONECTOR STR3 Y STR4 30/3230	✓		R-STR4N/30-CC
	CABLE CONECTOR STR3 50-75 HP Y STR4 50HP		✓	R-STR3N/50/75-CC

» **DESPIECE**

STR4-75-3460
STR4-100-3460

MOTOBOMBA SUMERGIBLE PARA LODOS



» **TABLA DE ESPECIFICACIONES**

POSICIÓN	DESCRIPCIÓN	STR4-75-3460	STR4-100-3460	CÓDIGO
01a	BRIDA PARA STR4 30 A 100HP	✓	✓	R-STR4N-BRIDA
14	IMPULSOR PARA STR4 75 HP	✓		R-STR4N/75-IMP
	IMPULSOR PARA STR4 100 HP		✓	R-STR4N/100-IMP
33	KIIXON STR2.5-3-4	✓		R-STR2.5-3-4N/KLX
	KLIXON PARA STR4 100 HP		✓	R-STR4N/100-KLX
07	CAMARA DE ACIETE STR4 75-100/3460	✓	✓	R-STR4N/75/100-CDA
10	PLATO PORTA SELLO STR4 75-100/3460	✓	✓	R-STR4N/75/100-PPS
24	ANILLO DE SUCCION STR4 75-100/3460	✓	✓	R-STR4N/75/100-ADS
34	SELLO MECANICO STR4 75-100/3460	✓	✓	R-STR4N/75/100-SM
35	RETEN STR4 75-100/3460	✓	✓	R-STR4N/75/100-RTN
36	KIT DE O-RING 75-100/3460	✓	✓	R-STR4N/75/100-ORG
41b	ARANDELA DE PRESION STR4 75-100/3460	✓	✓	R-STR4N/75/100-ARP
42c	TAPON DE ACITE STR4 30-50-100/3230	✓	✓	R-STR4N/30/50-TPA
42n	TORNILLO DE IMPULSOR STR4 75-100/3460	✓	✓	R-STR4N/75/100-TDI
45	CUÑA STR4 75-100/3460	✓	✓	R-STR4N/75/100-CUÑ
47a	CABLE CONECTOR STR4 75-100/3460	✓	✓	R-STR4N/75/100-CC
S3/S4	SENSOR DE HUMEDAD STR4	✓	✓	R-STR4N/30/50-SHM
13	CUERPO DE BOMBA STR4 75-100/3460	✓	✓	R-STR4N/75/100-CB